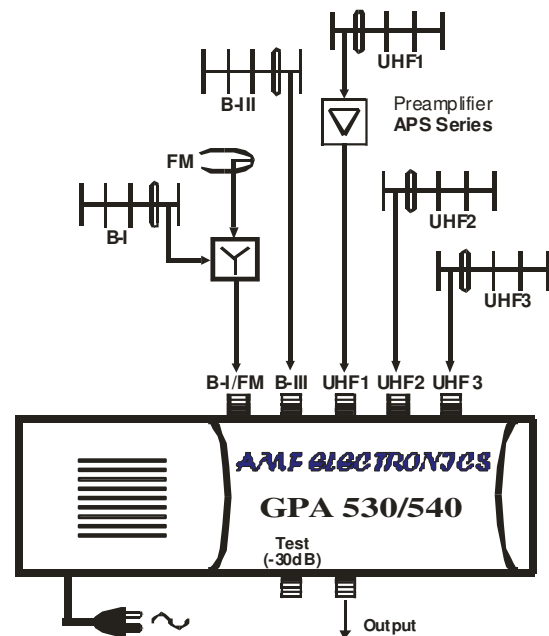


Broadband Amplifiers

- 5 Inputs: BI/FM, BIII, 3 x UHF
- Gain_{UHF} :32/42 dB
- Output: 116/118 dBμV
- For Inside Use
- Low Noise Figure
- Separate Amplification Stages
- Connection Type F
- Attenuators in all Inputs
- Supply for Preampifiers



Technical specifications

| | GPA 530 | GPA 540 |
|---|---|---|
| Inputs | 5 BI/FM, B-III, UHF1, UHF2, UHF3 | 5 BI/FM, B-III, UHF1, UHF2, UHF3 |
| Band Range | 40-108 MHz, 160-240 MHz, 470-860 MHz | 40-108 MHz, 160-240 MHz, 470-860 MHz |
| Gain | BI/FM : 20 dB, BIII : 25 dB, UHF: 32 dB | BI/FM : 30 dB, BIII : 35 dB, UHF: 42 dB |
| Adjustable Gain Range (Attenuators in all inputs) | 0- 20 dB | 0- 20 dB |
| Output Level (max) | 116 dBμV | 118 dBμV |
| Separate Amplification | Yes | Yes |
| Supply for Preampifiers (Automatic) | 24 Vdc, 120mA | 24 Vdc, 120mA |
| Noise Figure | VHF : 5,0 dB, UHF : 7,0 dB | VHF : 5,5 dB, UHF : 7,5 dB |
| Connection | Connectors Type F | Connectors Type F |
| Mains Voltage | 230 V ± 5% | 230 V ± 5% |