

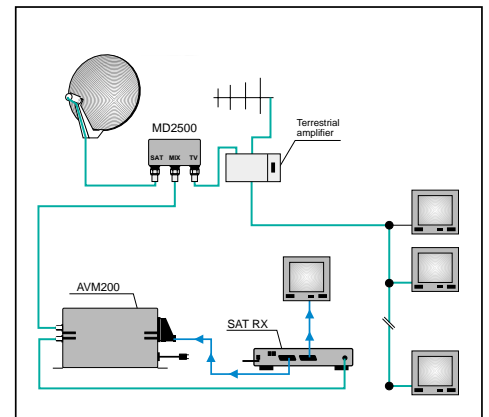
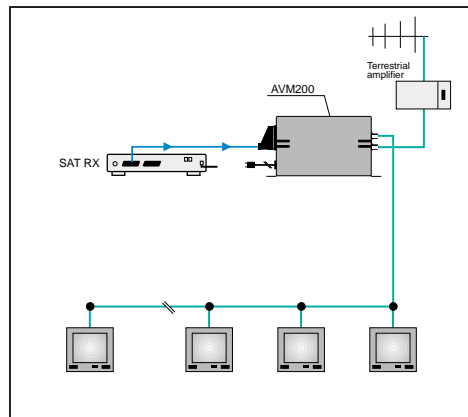
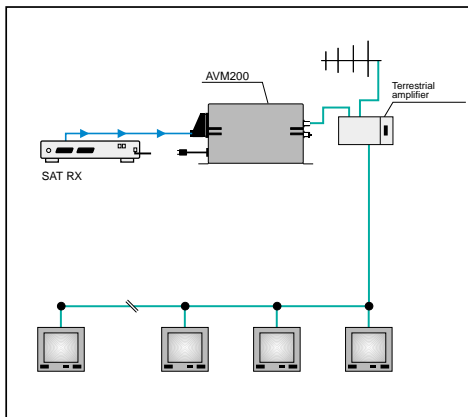
Audio Video and stereo modulator

- PLL quartz cristall oscillator
- Audio stereo
- Preserves Dolby Digital Sorround encoding information
- Audio with Automatic Control Gain
- Input /output SCART connector
- Video level adjustable
- TEST video signal
- RF output 100 dB μ V adjustable
- Armonics filter soppessor
- Self powered
- Selection of the output ch. by dip-switch
- Permits the mixing of the Terr. and SAT signals
- Professional metal box

The AVM200S modulator can transmit Audio video source as satellite receiver, VCR, DVD, etc. into UHF or VHF terrestrial band channel with a very high video quality and stereo audio PAL B/G or I* Standards. The input/output SCART connector is able to feed other devices as TV and VCR.

The audio level is optimized by a special amplifier ciurcuit with automatic control gain.

This feature is very useful receiving SAT transmission programs with different audio level.



Stereo

Mono

Ch.

AVM200S

AVM200E

E2...E12 /S2...S38/E21...E70

Audio video line

RF line

Technical specifications

RF

- Output level ≥ 100 dB μ V
- Automix 40...2500 Mhz
- Ins. loss mix ≤ 1 dB 40...860 Mhz
- Attenuation margin ≤ 2 dB 950...2500 Mhz
- Spuries in the channel - 20 dB
- Armonics level - 65 dB
- 50 dB

VIDEO

- Input ses. 0,5...1,5 Vpp
- S/N ratio 50 dB
- Modulation deep 75%
- Input impedance 75 Ω
- Video modulation AM

AUDIO

- Input sens.
- Audio carriers (PAL B/G)
- Preenf.
- Freq. resp.
- Distors.

150 mVpp...3Vpp (ACG)
5,5 Mhz + 5,742 Mhz
50 μ S
40...15.000 Hz
 $\leq 0,5\%$

DIMENSION

- 195 X 103 X 50 mm

STANDARDS

*On request

PAL B/G, PAL I*, NTSC*